



# CENTRAL CAMPUS

## Housing Floorplan & Furniture Dimensions

Single Suite

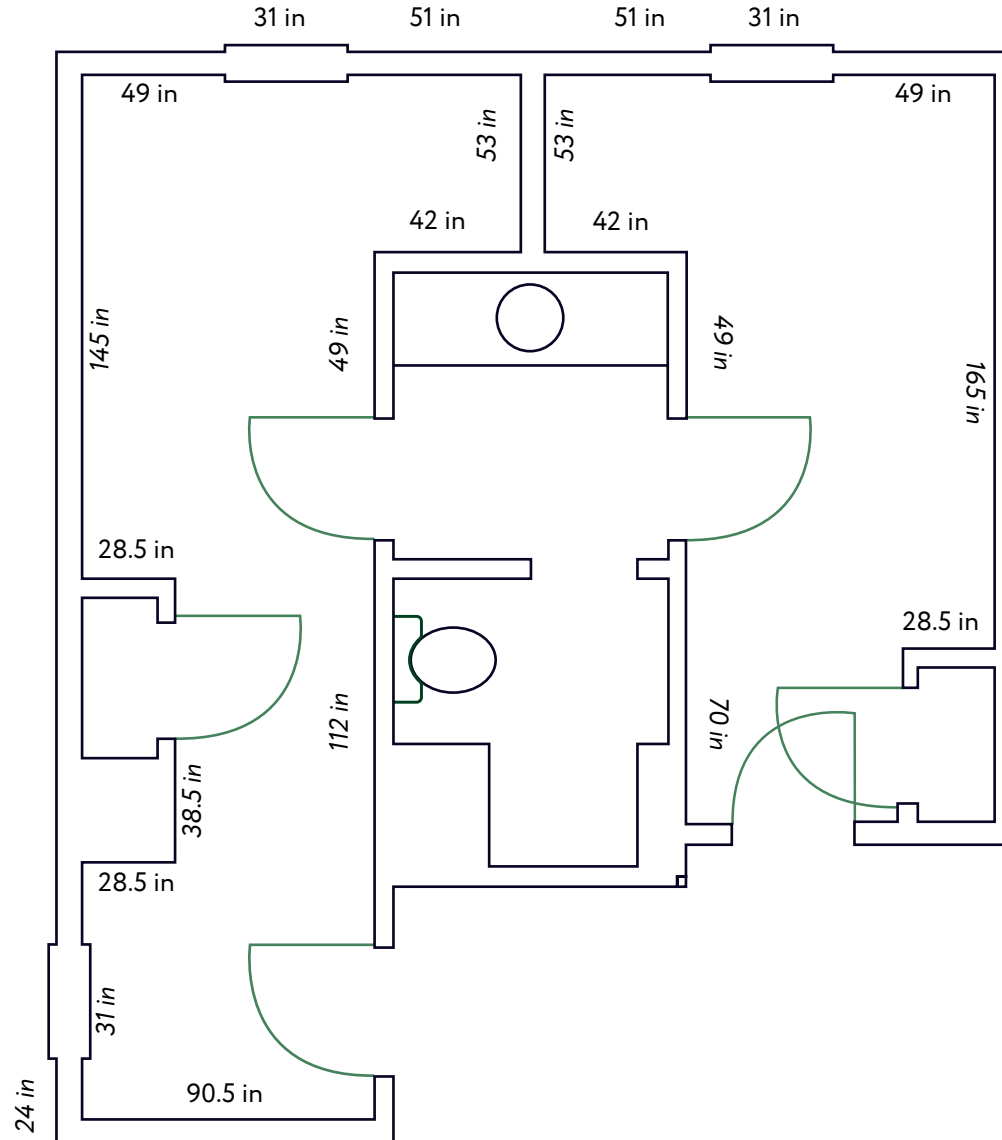
# TCAEBNLTER OALF CAOMNTPEUNSTS

Single Suite Floorplan	01
Dresser	03
XL Twin Bed	04
Desk	05
Desk Chair	06
Bookshelf	07
Window	08
Area Under the Sink	09
Closet	10
Possible Furniture Configurations	11

# CENTRAL CAMPUS

Adams, Foundation, Napier,  
Parkhurst & Wells Hall

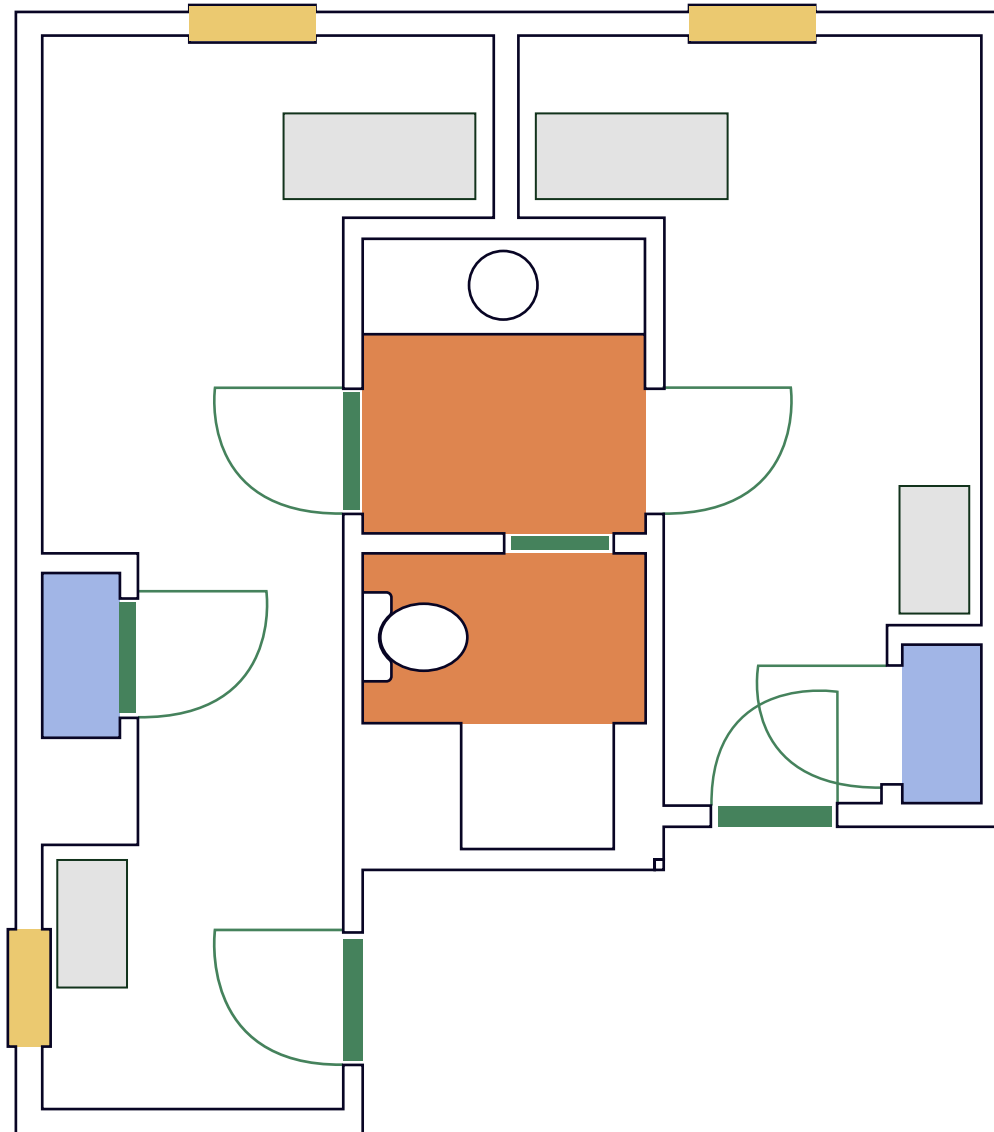
## Single Suite Floorplan - Overview



# CENTRAL CAMPUS

Adams, Foundation, Napier,  
Parkhurst & Wells Hall

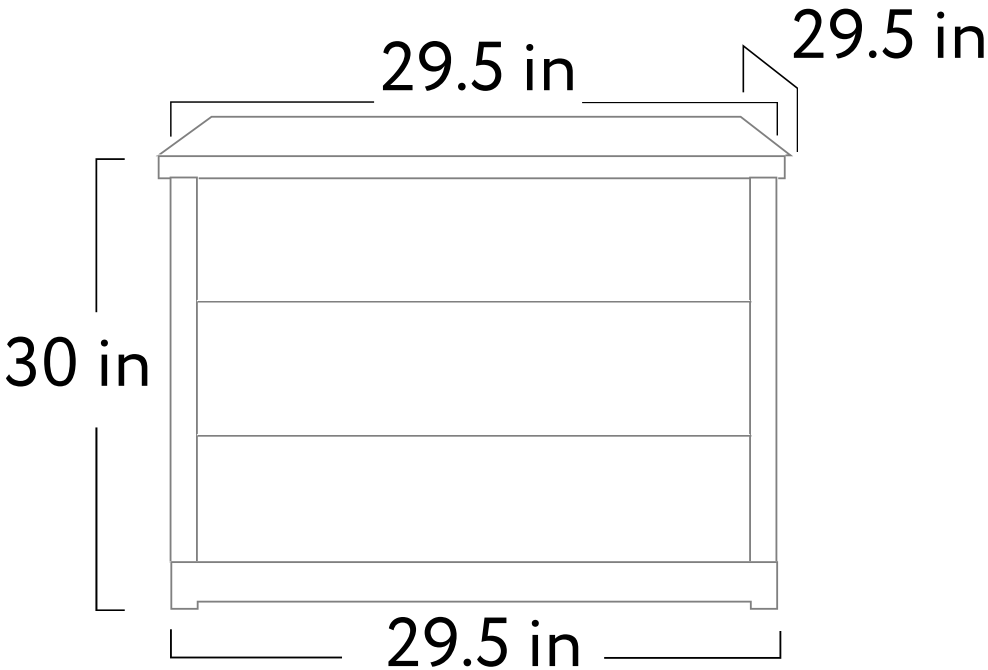
## Single Suite Floorplan - Details



-  WINDOWS
-  DOORS
-  BATHROOMS
-  CLOSETS
-  FURNITURE FOR SCALE

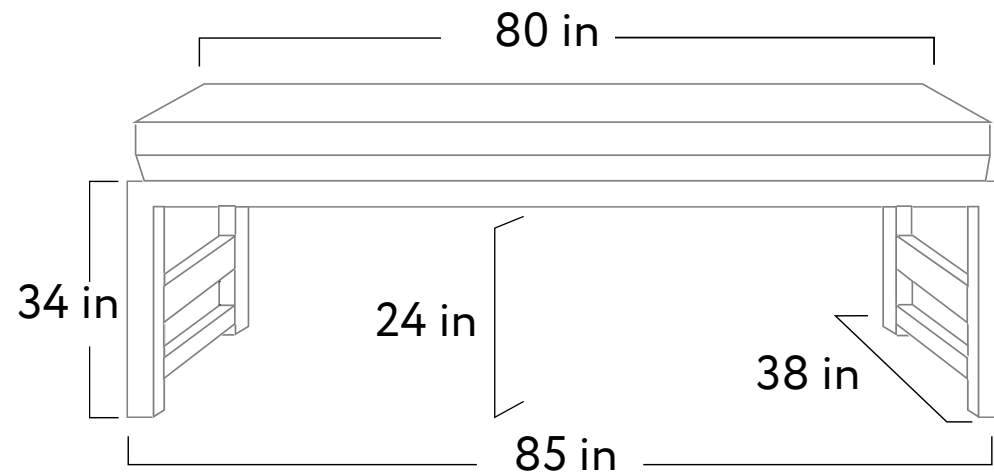
# CENTRAL CAMPUS

## Furniture Dimensions - Dresser



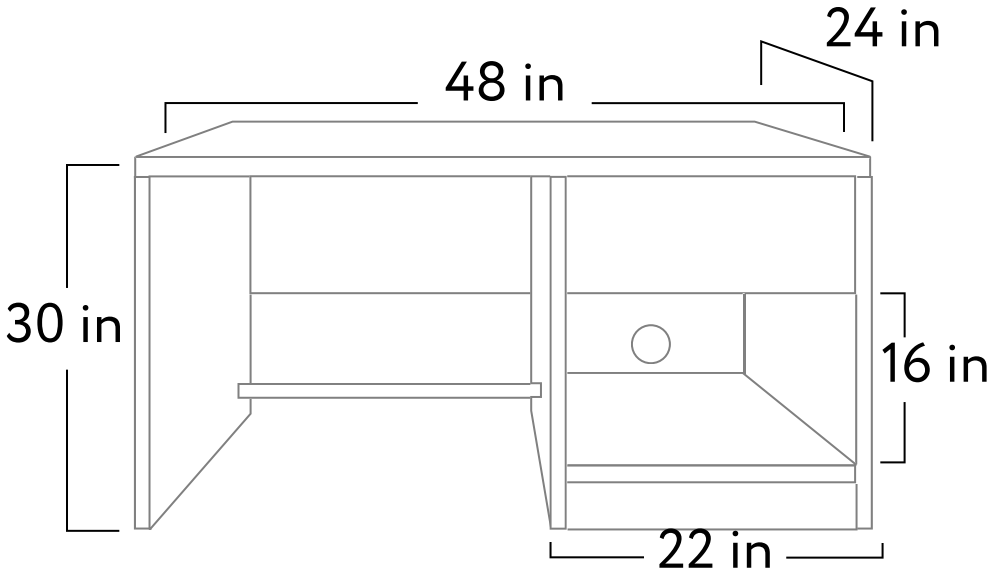
# CENTRAL CAMPUS

## Furniture Dimensions - Twin XL Bed



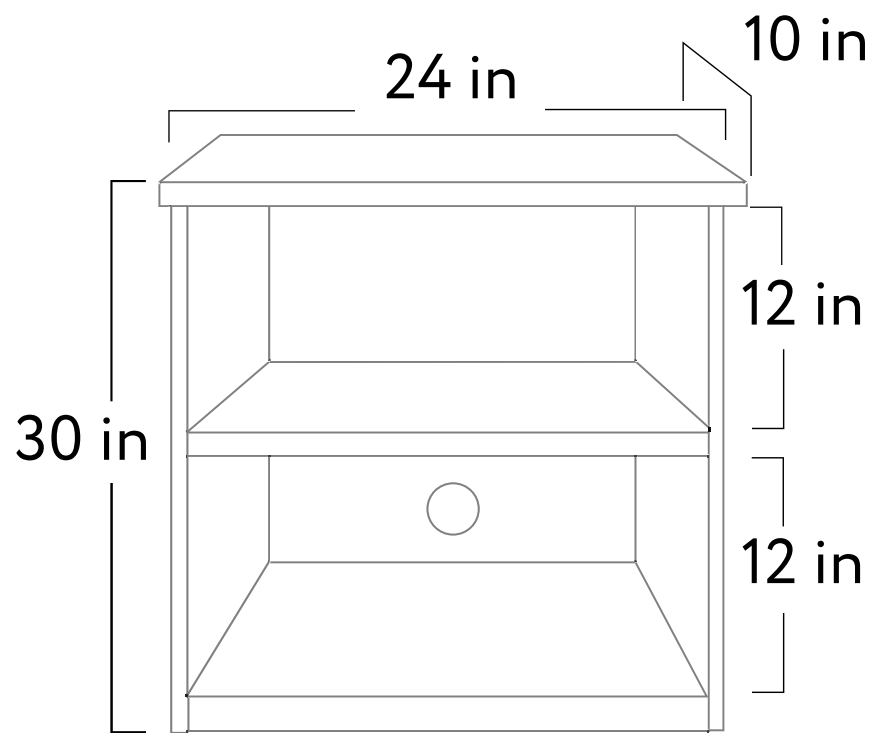
# CENTRAL CAMPUS

## Furniture Dimensions - Desk



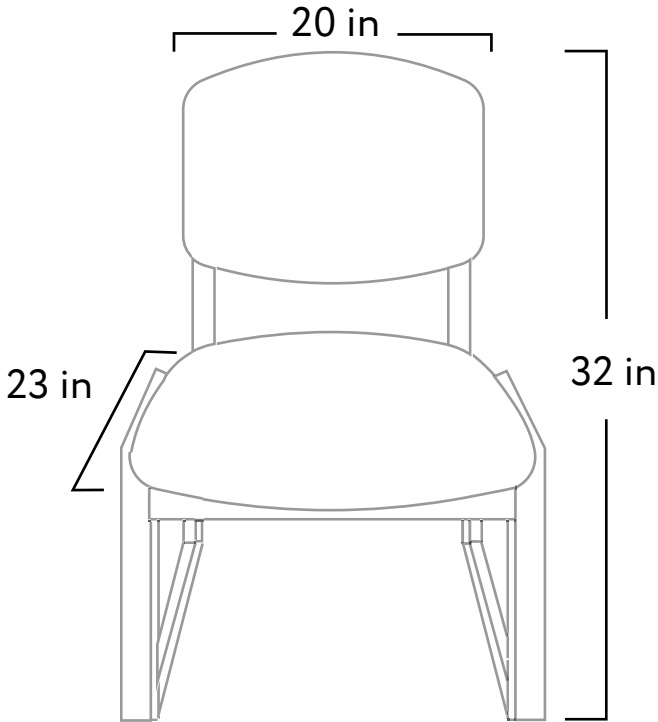
# CENTRAL CAMPUS

## Furniture Dimensions - Bookshelf



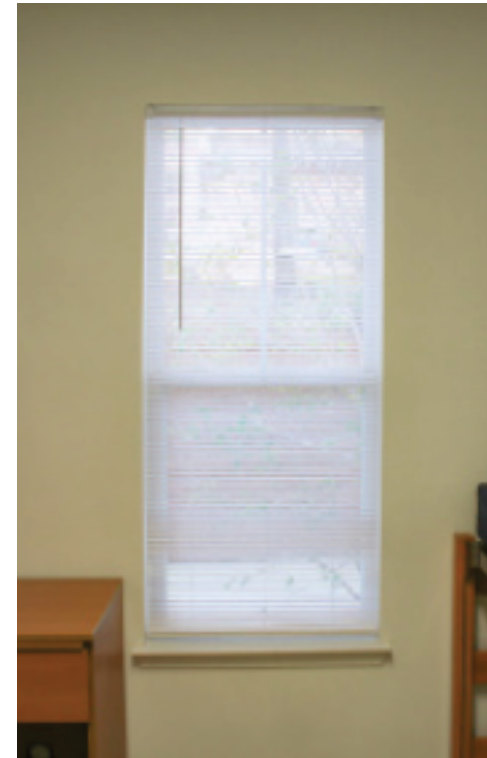
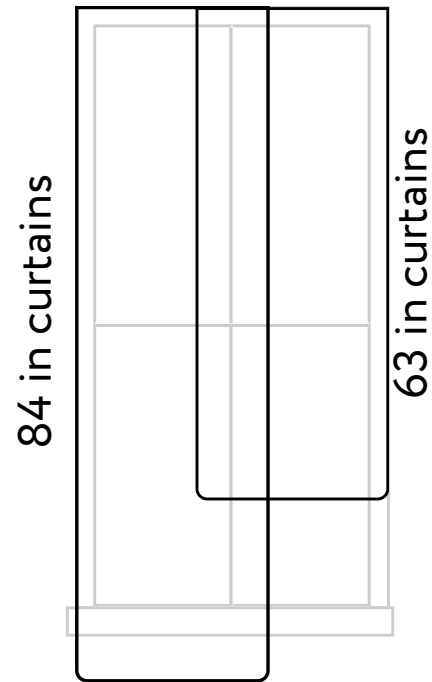
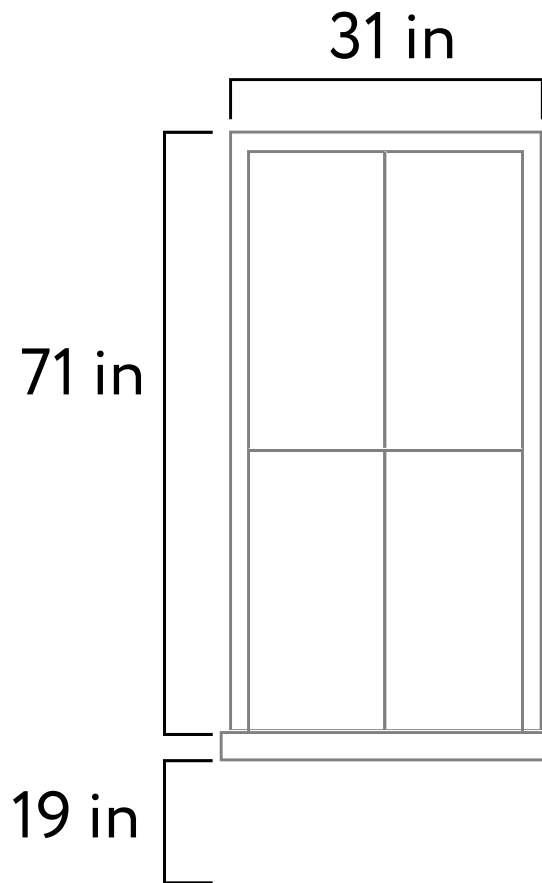
# CENTRAL CAMPUS

## Furniture Dimensions - Desk Chair



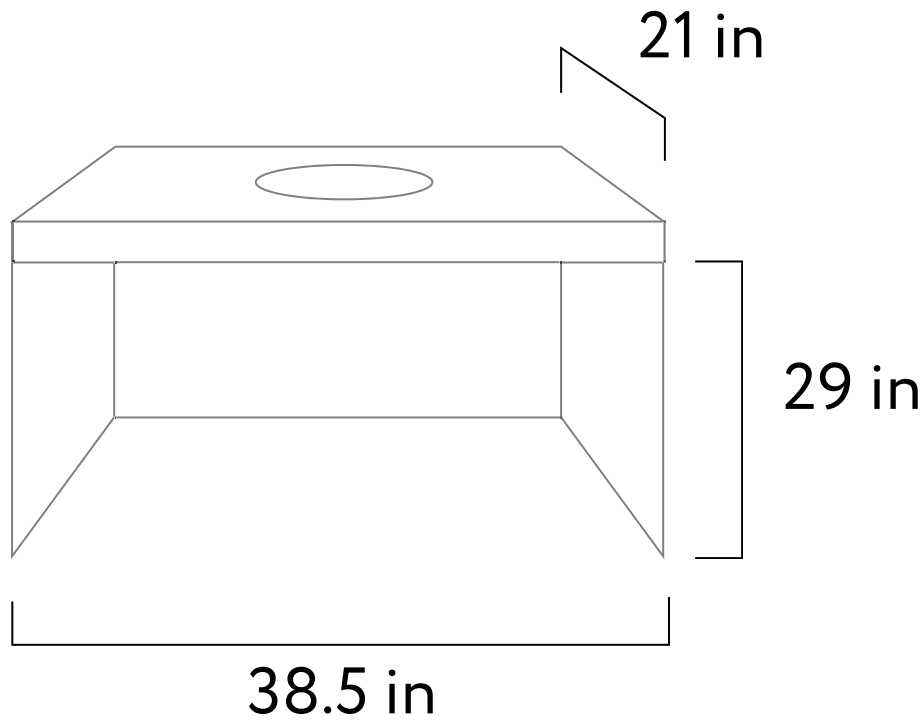
# CENTRAL CAMPUS

## Furniture Dimensions - Window



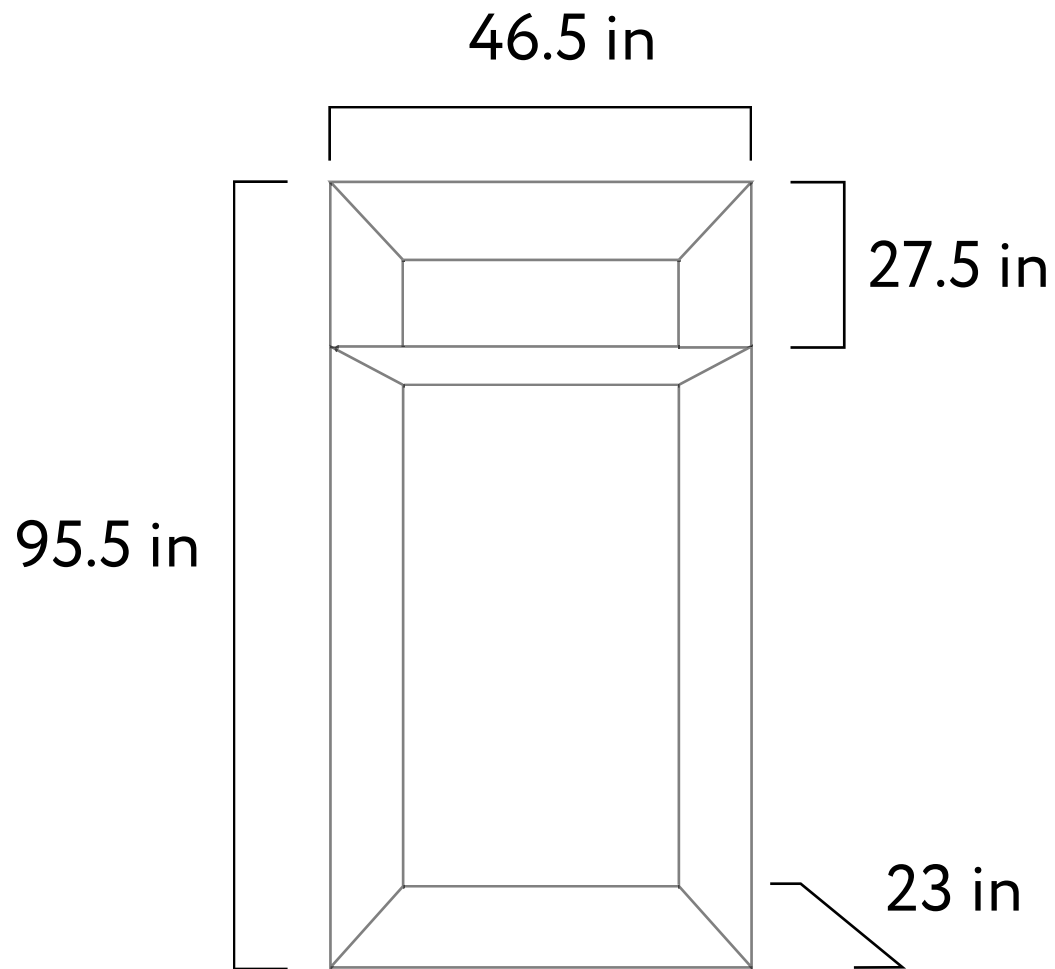
# CENTRAL CAMPUS

## Furniture Dimensions - Area Under the Sink



# CENTRAL CAMPUS

## Furniture Dimensions - Closet



# CENTRAL CAMPUS

## Possible Furniture Configurations



Dresser Under Twix XL bed



Bookshelf on Desk