

A photograph of a 4-person suite room. On the left, there are wooden bunk beds with a grey blanket on top. In the center, there is a desk with a computer monitor, a small potted plant, and a blue container. To the right, there is a bed with a grey blanket and a blue pillow, and a black lamp. The room has white walls and a window with blinds.

CENTRAL CAMPUS

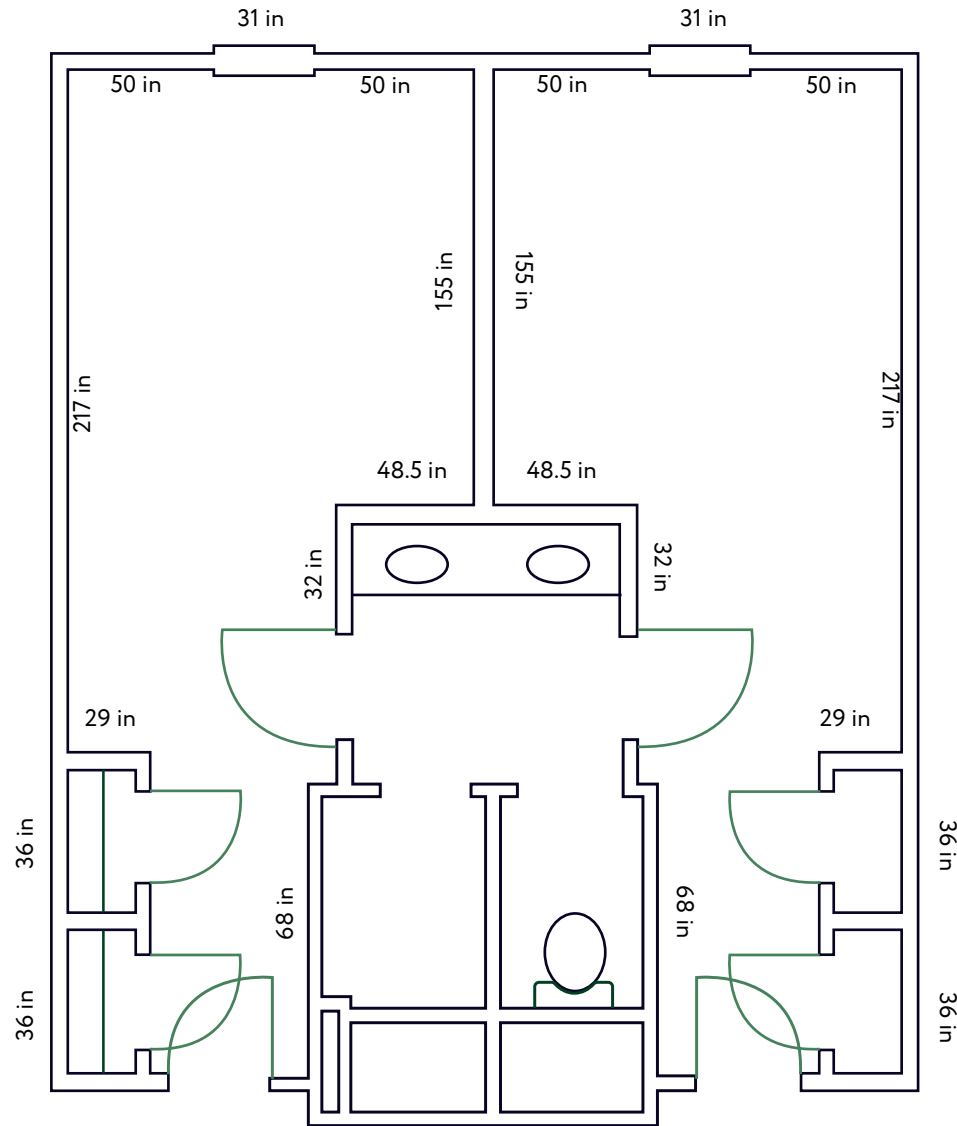
Housing Floorplan & Furniture Dimensions

4-Person Suite

TABLE OF CONTENTS

- 4-Person Suite Floorplan 01
- Dresser 03
- XL Twin Bed 04
- Desk 05
- Desk Chair 06
- Bookshelf 07
- Window 08
- Area Under the Sink 09
- Closet 10
- Possible Furniture Configurations 11
- Fully Decorated 4-Person Suite 12

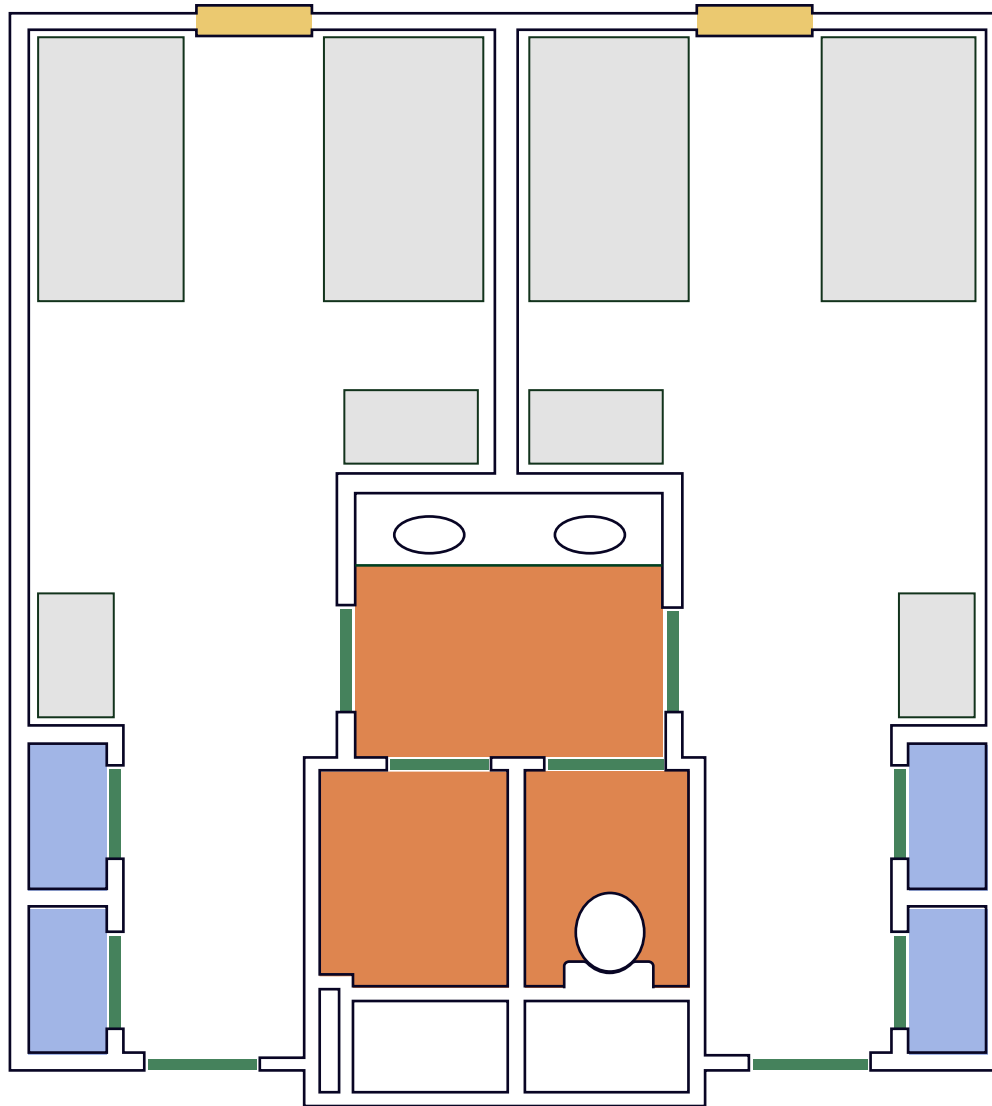
4-Person Suite Floorplan - Overview Measurements



CENTRAL CAMPUS

Adams, Foundation, Napier,
Parkhurst & Wells Hall

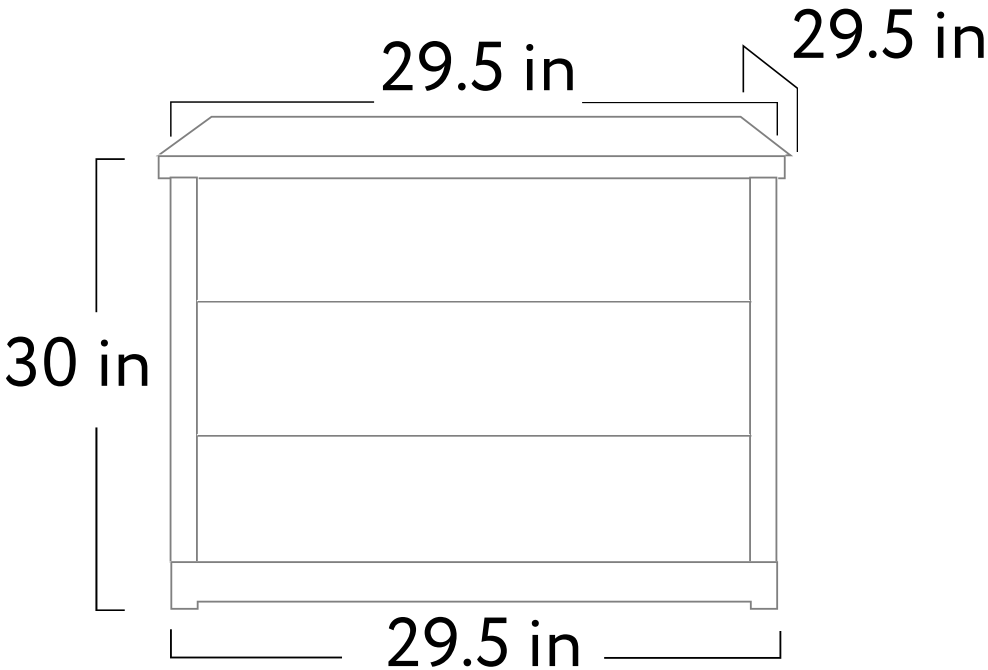
4-Person Suite Floorplan - Details



- WINDOWS
- DOORS
- BATHROOMS
- CLOSETS
- FURNITURE FOR SCALE

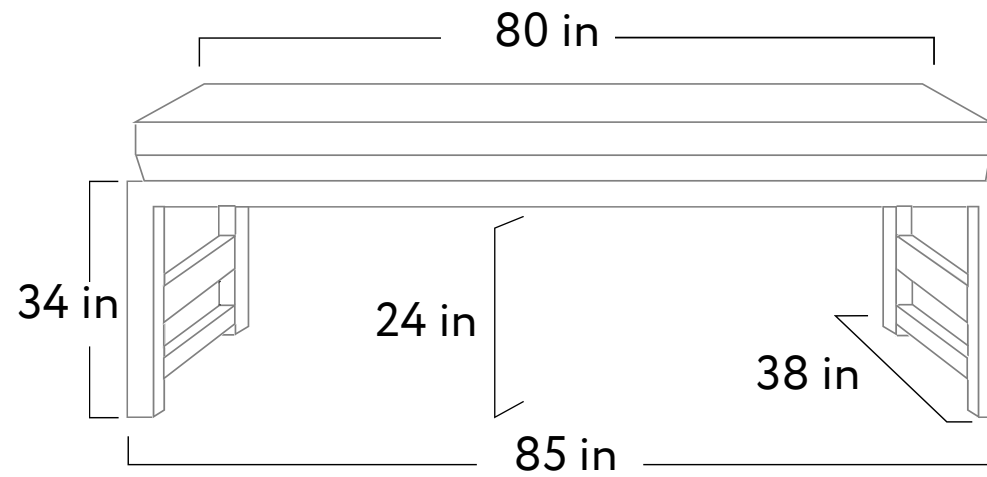
CENTRAL CAMPUS

Furniture Dimensions - Dresser



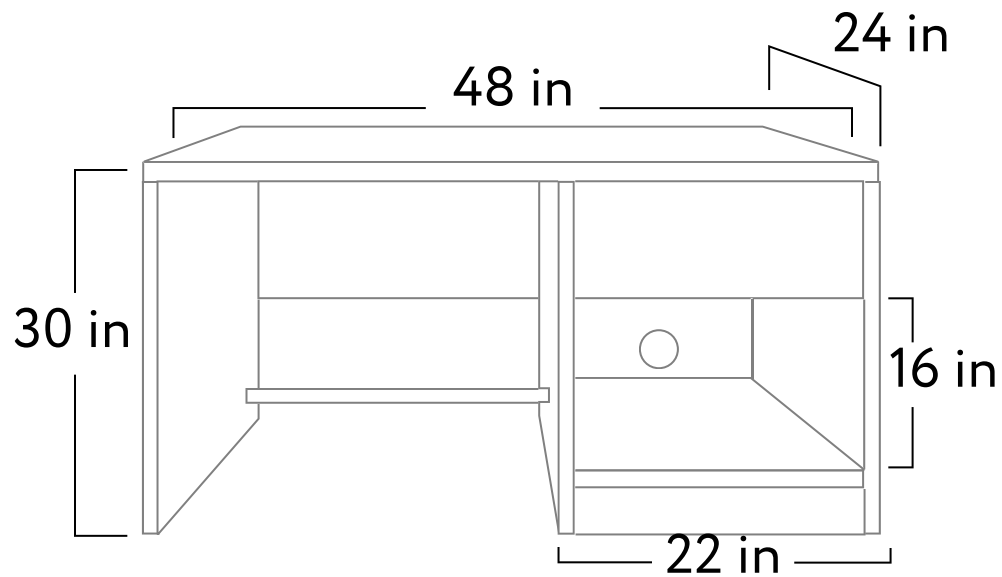
CENTRAL CAMPUS

Furniture Dimensions - XL Twin Bed



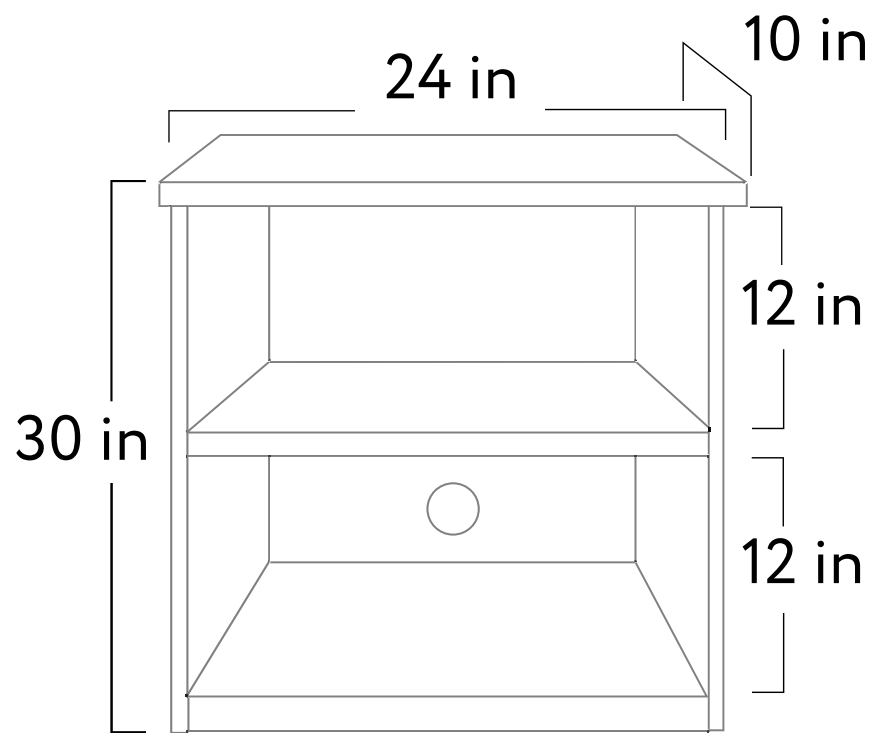
CENTRAL CAMPUS

Furniture Dimensions - Desk



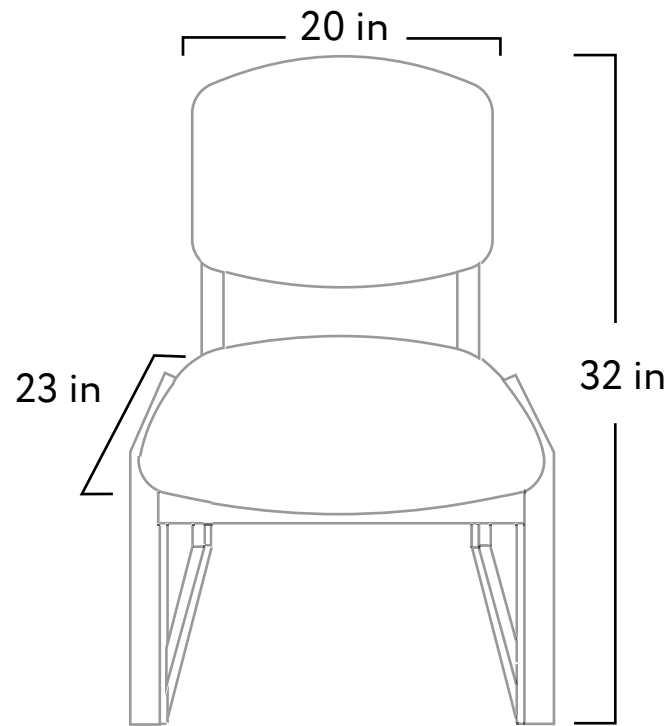
CENTRAL CAMPUS

Furniture Dimensions - Bookshelf



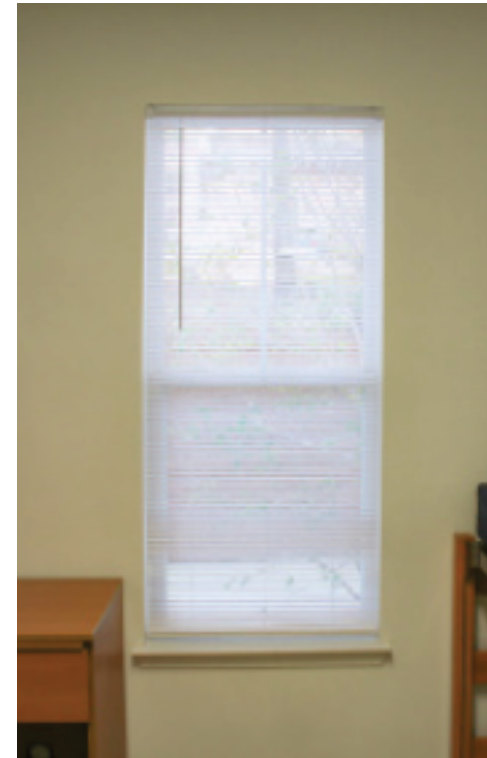
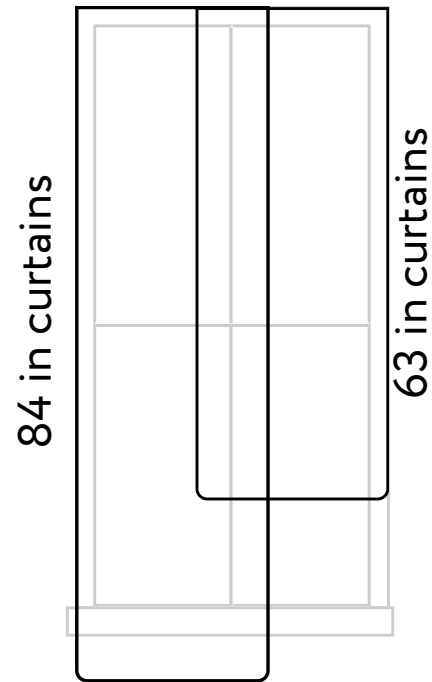
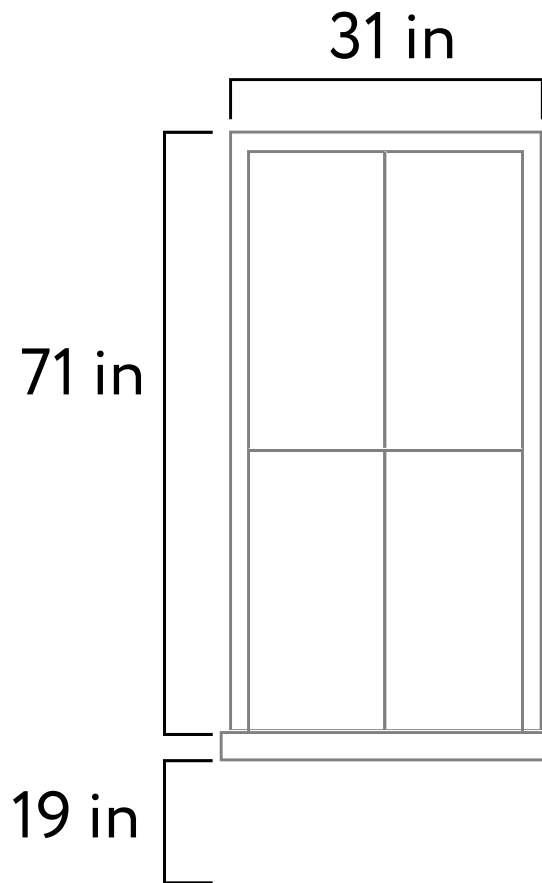
CENTRAL CAMPUS

Furniture Dimensions - Desk Chair



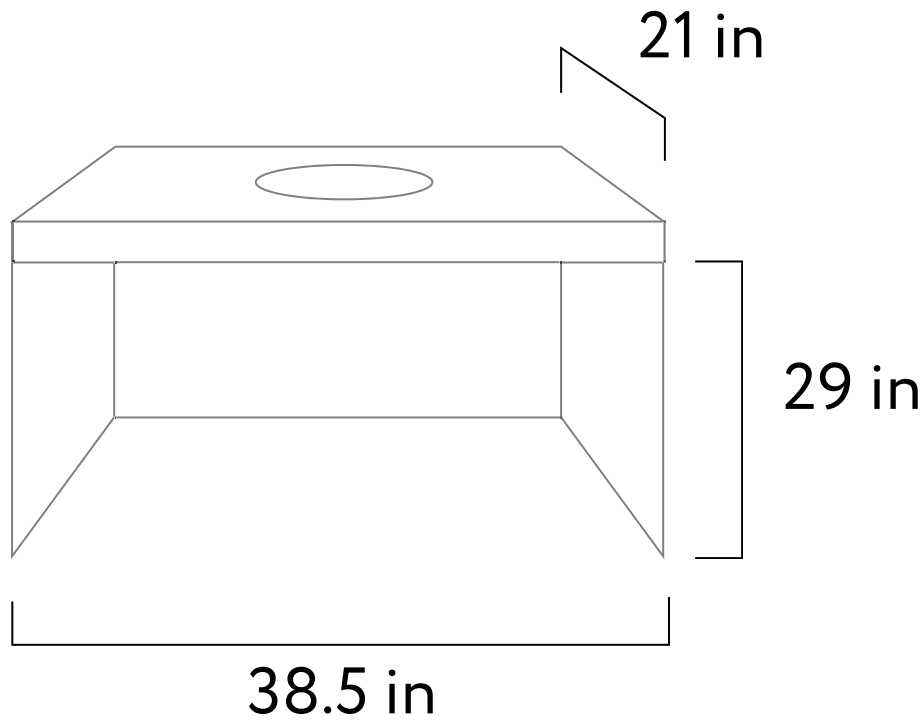
CENTRAL CAMPUS

Furniture Dimensions - Window



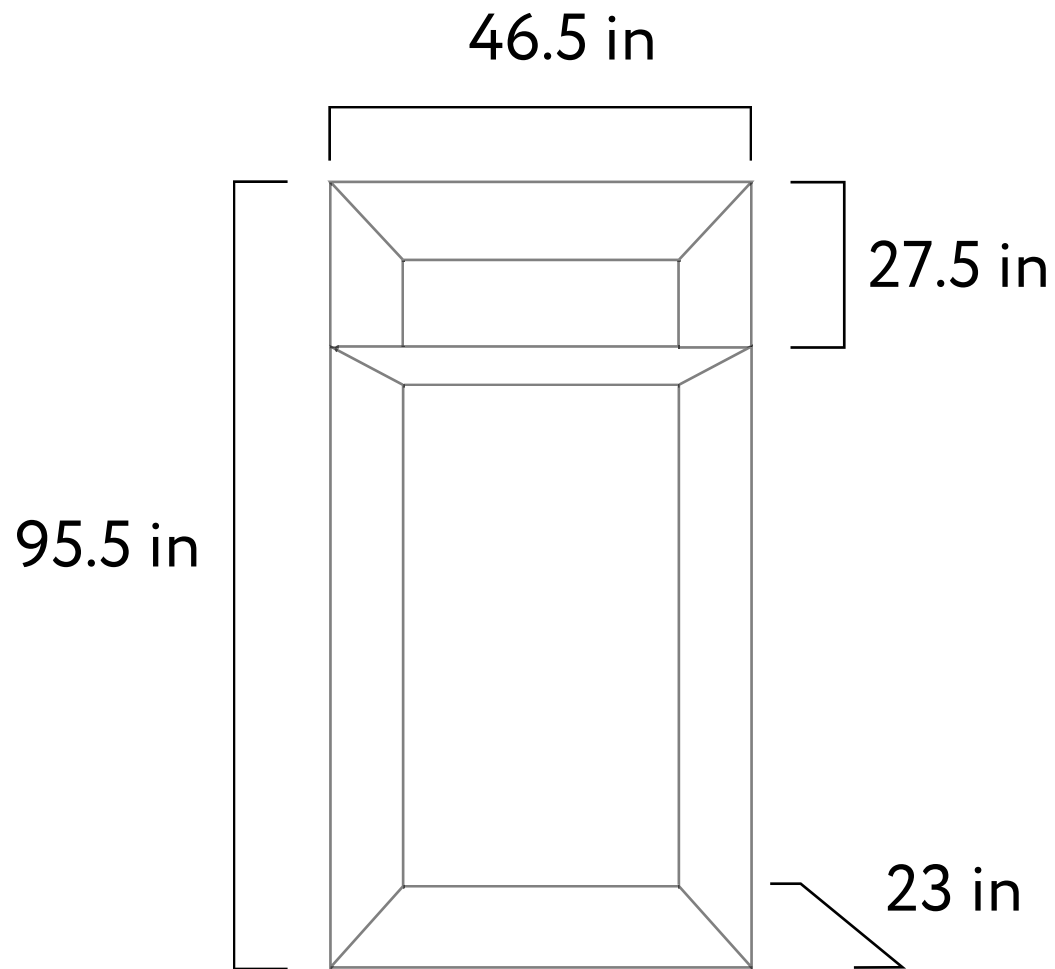
CENTRAL CAMPUS

Furniture Dimensions - Area Under the Sink



CENTRAL CAMPUS

Furniture Dimensions - Closets



CENTRAL CAMPUS

Possible Furniture Configurations



Dresser Under Twix XL bed



Bookshelf on Desk

CENTRAL CAMPUS

Fully Decorated 4-Person Suite Example



*Photos show a fully decorated room for inspiration purposes only. Decor, accessories and personal items are not included with the room. Mini fridge and loft extension are available as optional add-ons for an additional cost.