

A photograph of a bedroom interior, dimly lit. On the left, a wooden bed frame with a slatted headboard is visible, covered with a light-colored bedspread and pillows. To the right of the bed is a dark wood nightstand. On the nightstand sits a round analog clock with a white face and black numbers, a lamp with a white shade and a dark base, and a blue cup. The background shows a plain wall with vertical shadows from the bed.

The Village 4-6

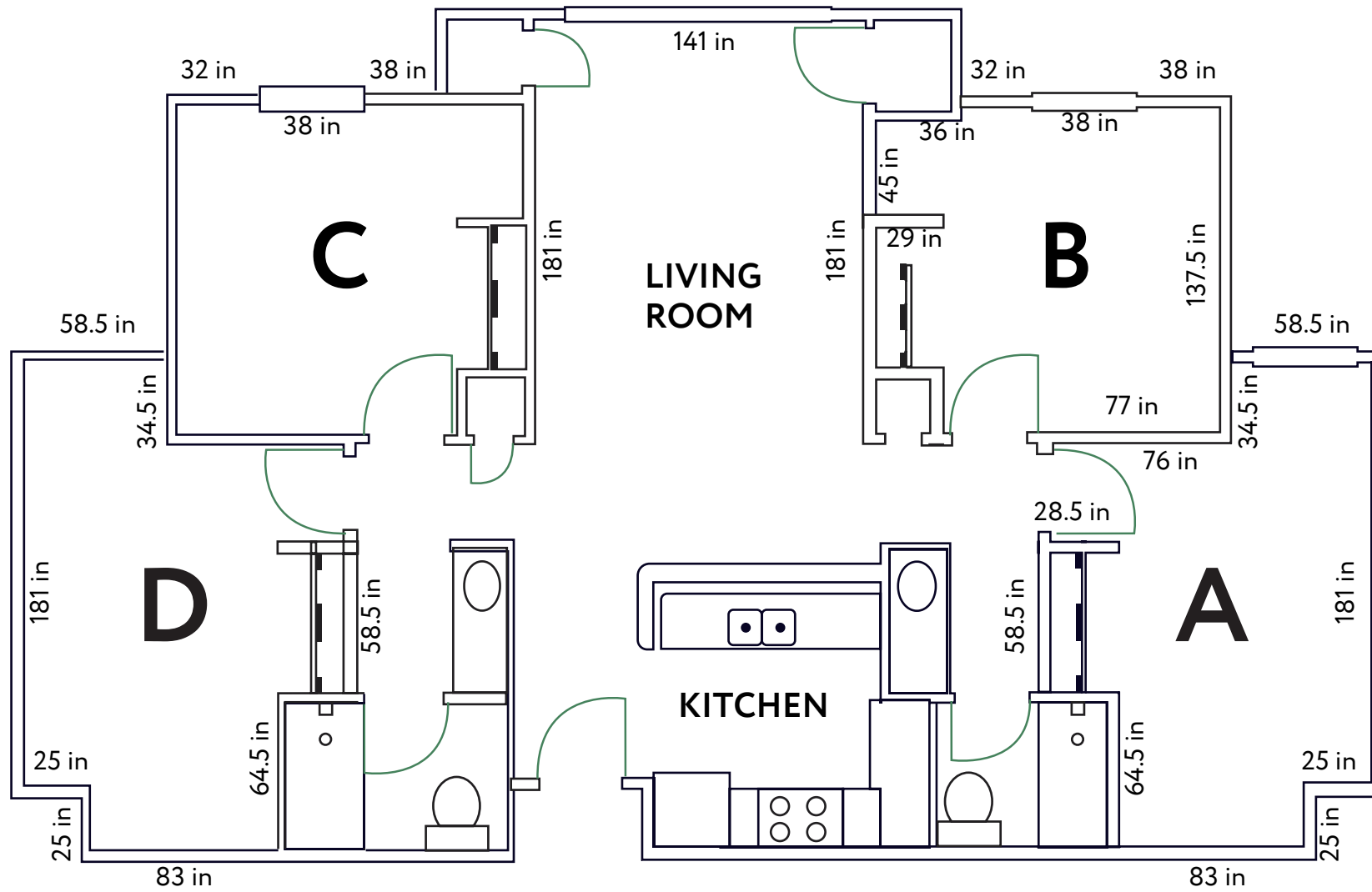
Housing Floorplan & Furniture Dimensions

TABLE OF CONTENTS

- Village 4-6 Floorplan 01
- Dresser 03
- Full Bed 04
- Desk 05
- Desk Chair 06
- Bookshelf 07
- Window 08
- Closet 09
- Kitchen Chair 10
- Kitchen Table 11
- Coffee Table 12
- Side Table 13
- Armchair 14
- Sofa 15
- Kitchen Overview 16-17
- Bathroom Overview 18-19
- Additional Photographs 20

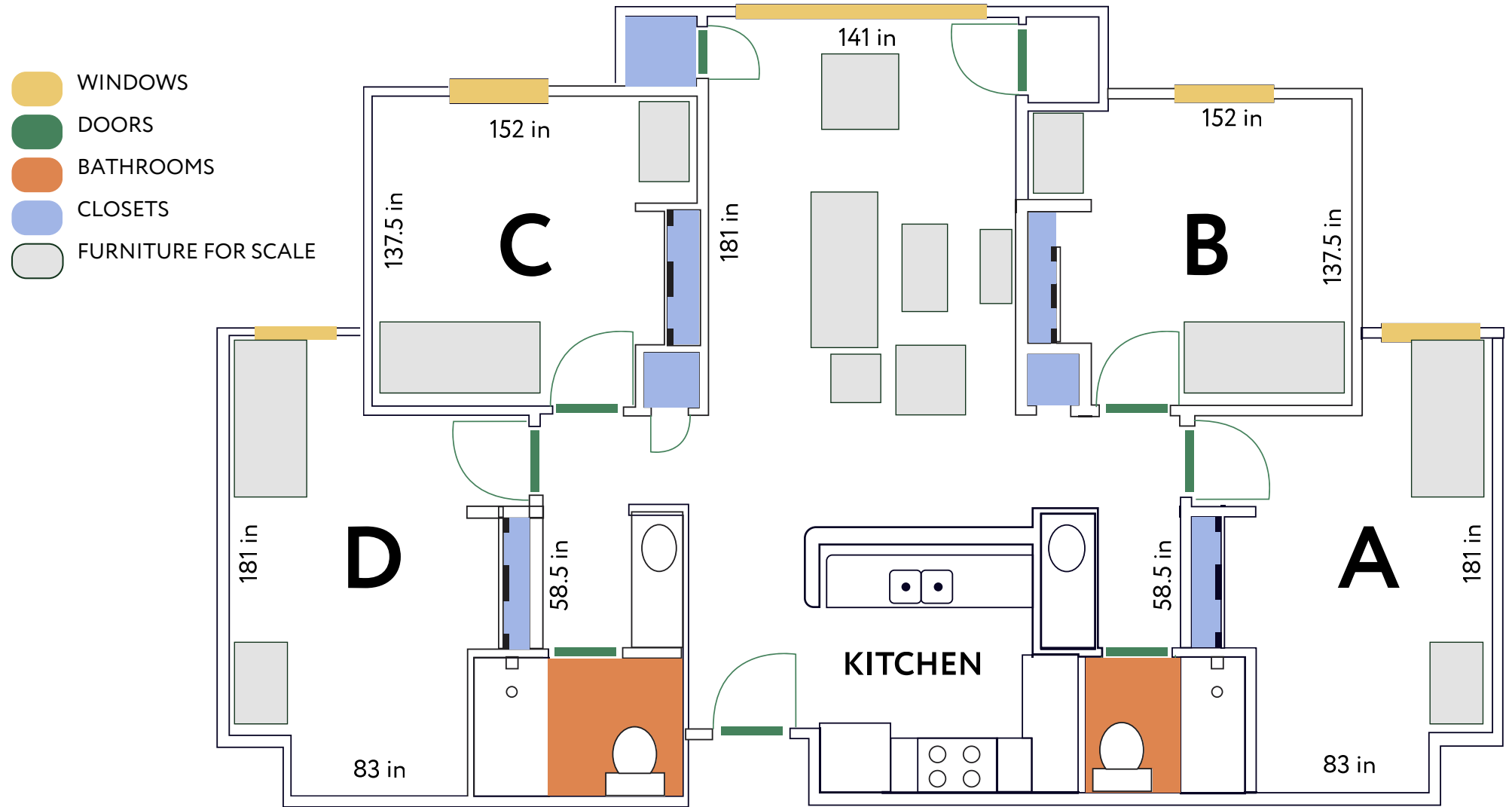
WEST CAMPUS

Village 4-6 Floorplan - Overview Measurements



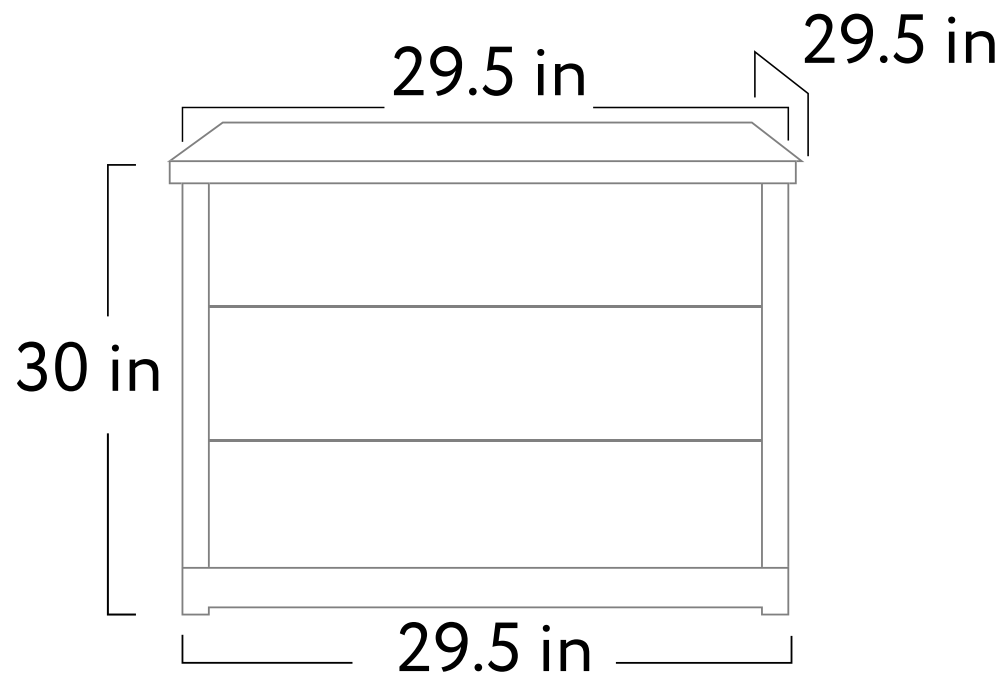
WEST CAMPUS

Village 4-6 Floorplan - Details



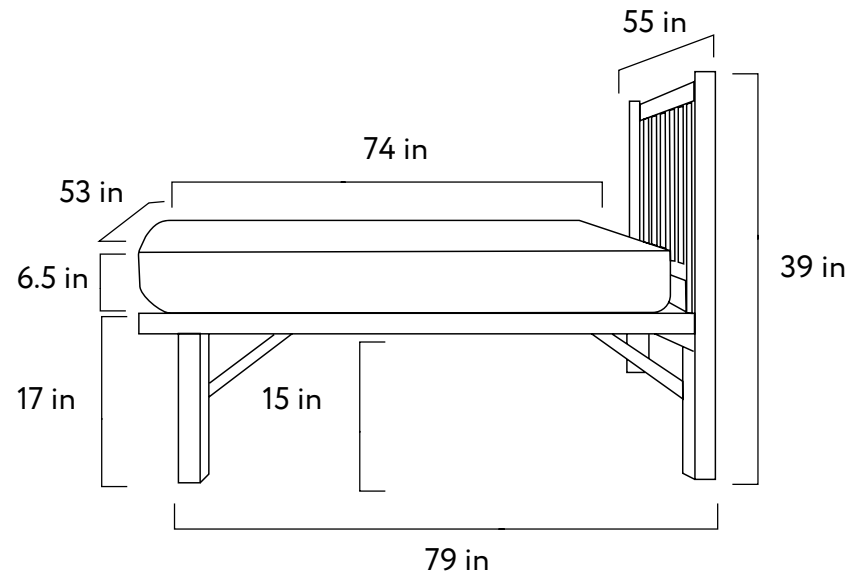
WEST CAMPUS

Furniture Dimensions - Dresser



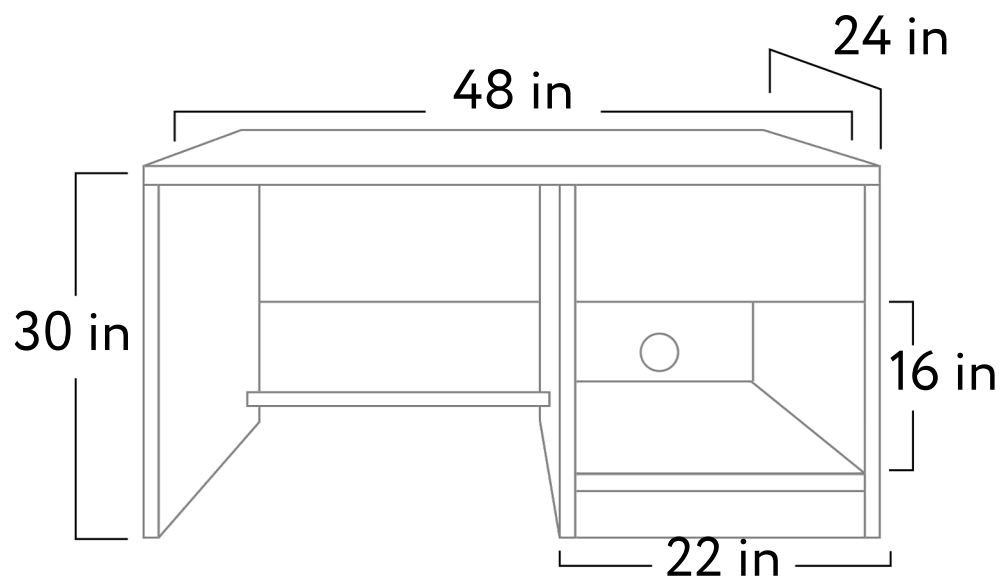
WEST CAMPUS

Furniture Dimensions - Full Size Bed



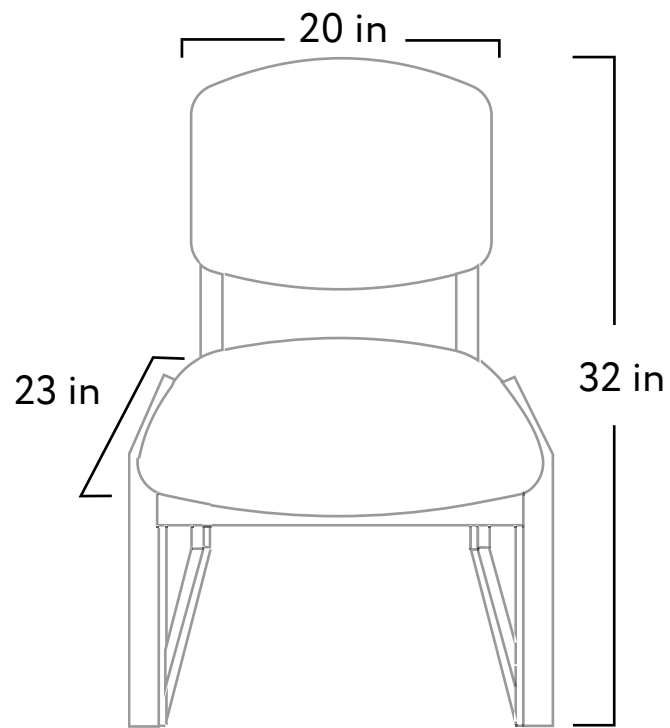
WEST CAMPUS

Furniture Dimensions - Desk



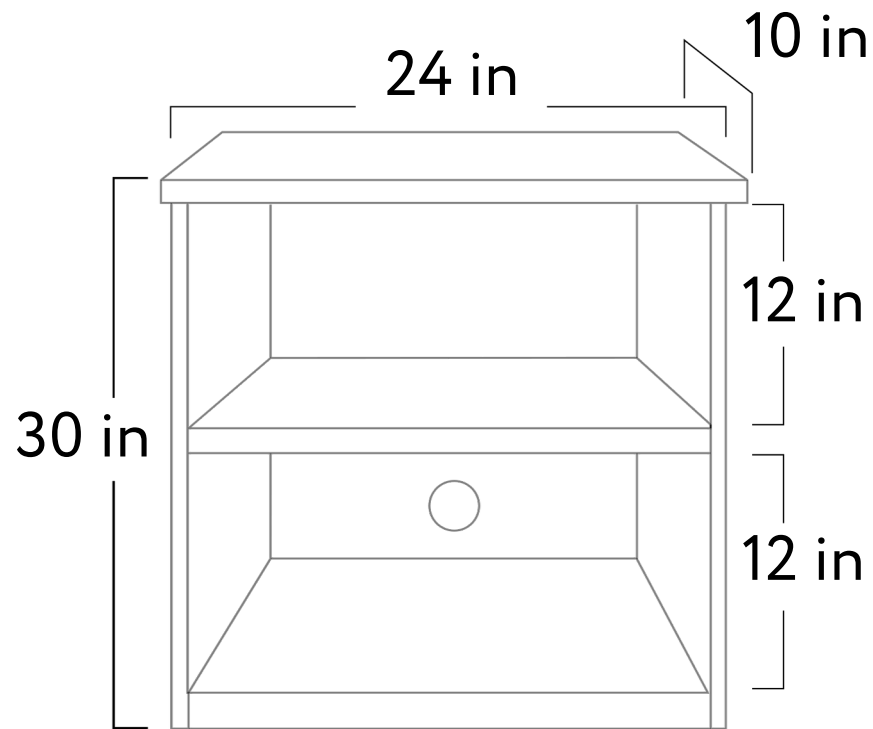
WEST CAMPUS

Furniture Dimensions - Desk Chair



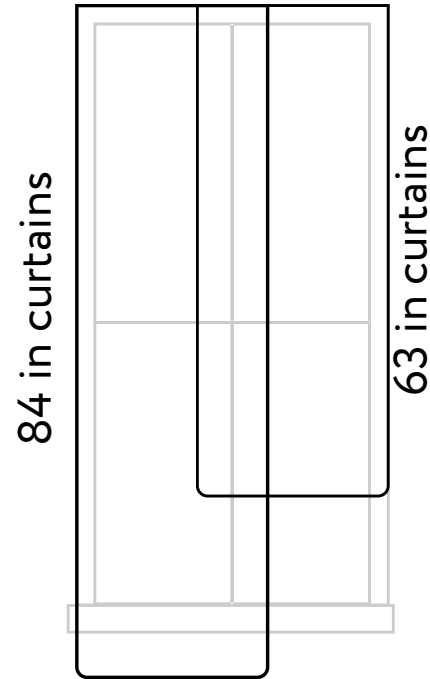
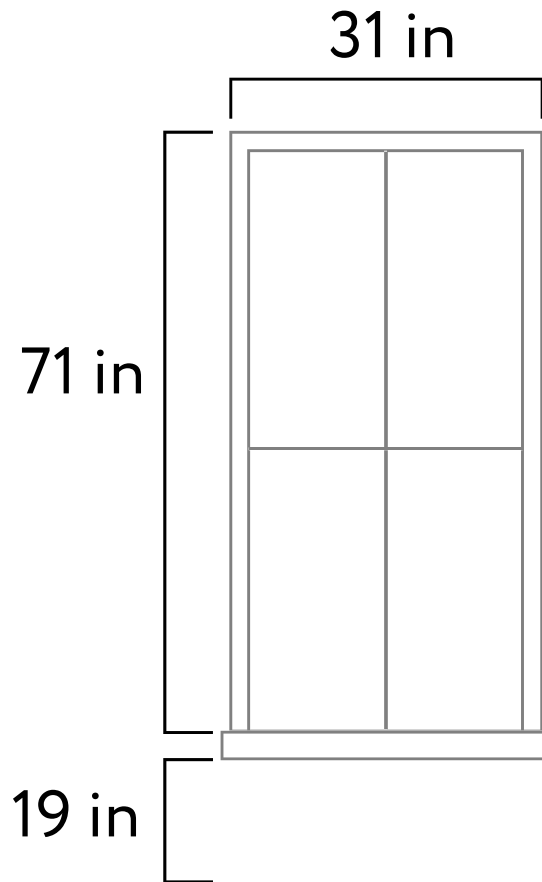
WEST CAMPUS

Furniture Dimensions - Bookshelf



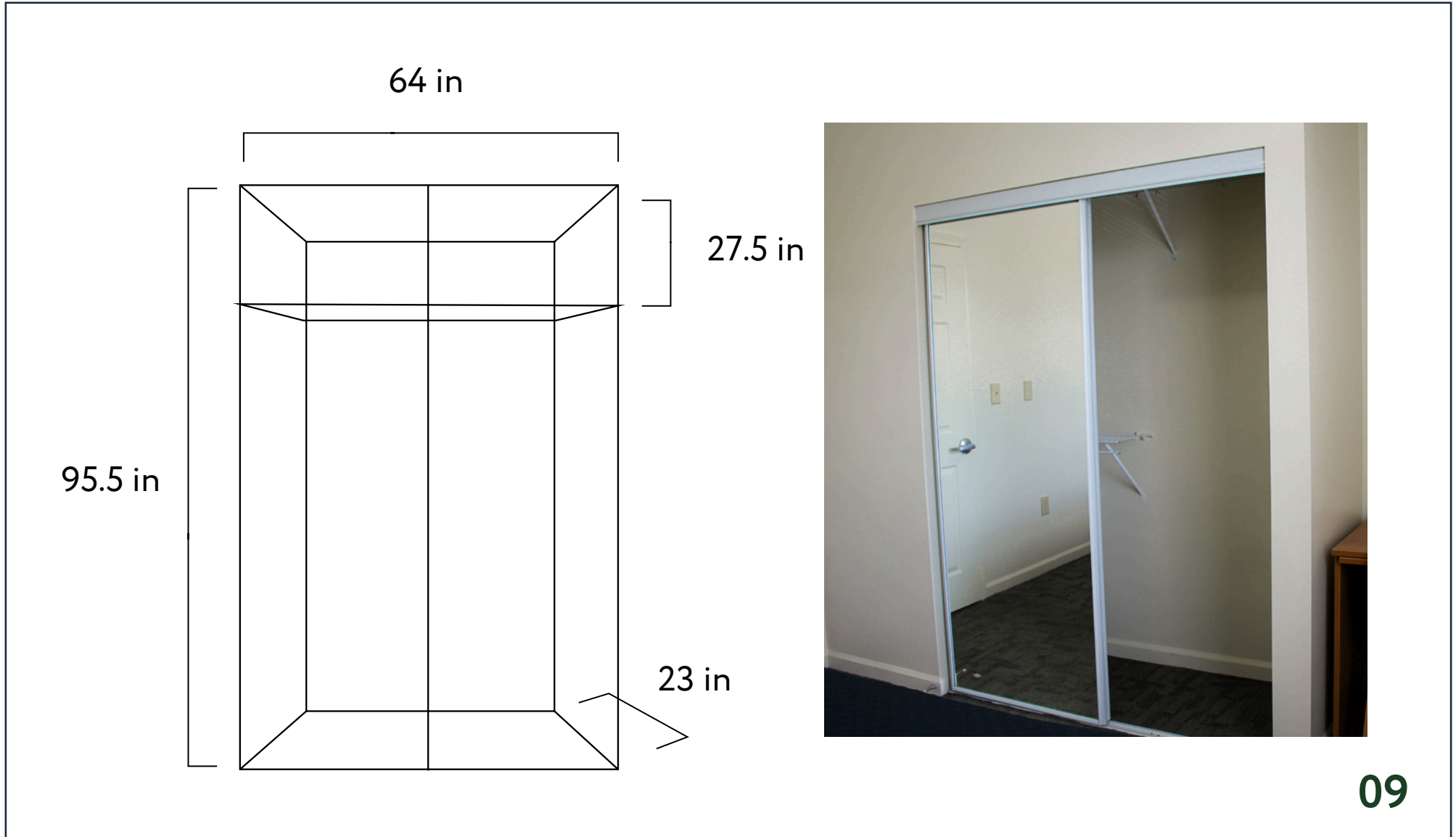
WEST CAMPUS

Furniture Dimensions - Bedroom Window



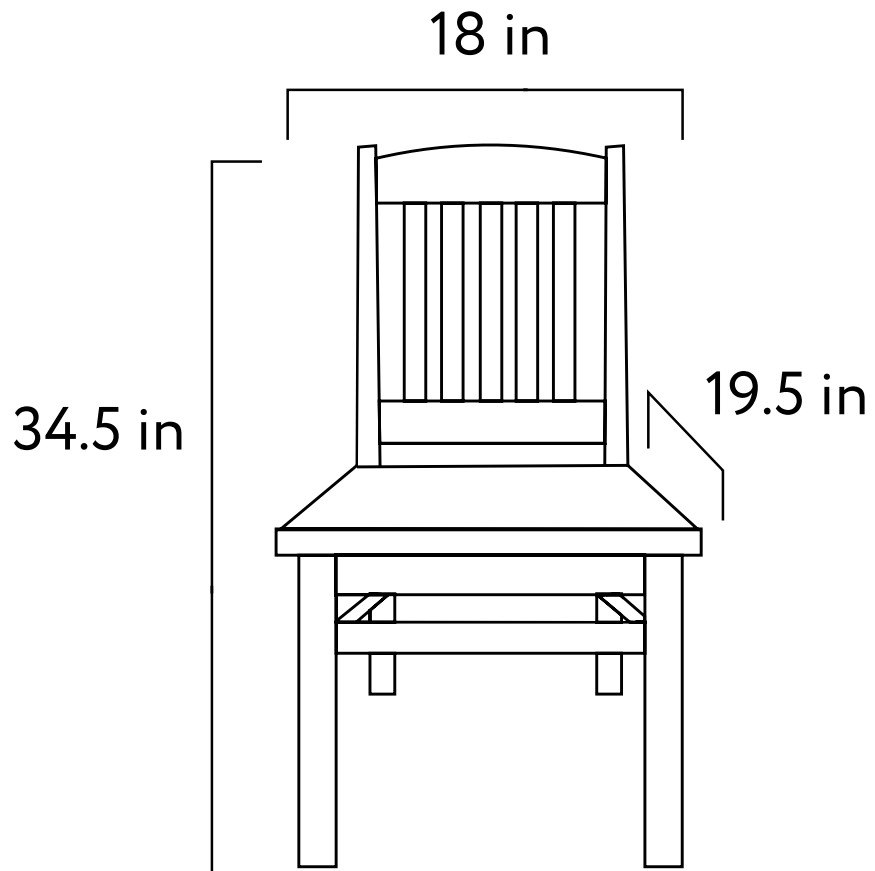
WEST CAMPUS

Furniture Dimensions - Closet



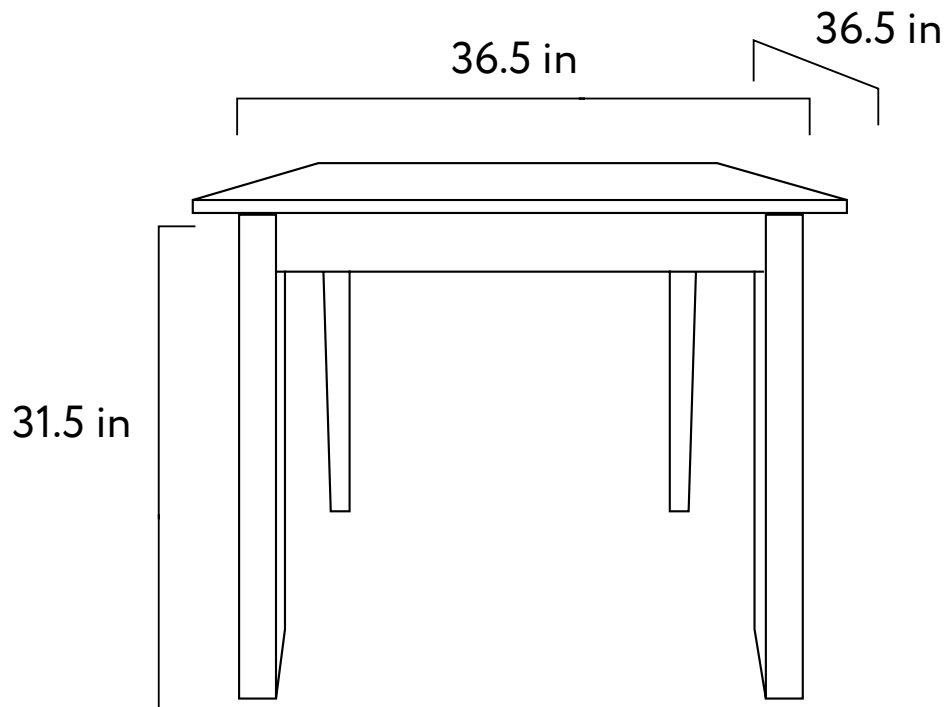
WEST CAMPUS

Furniture Dimensions - Kitchen Chair (4 chairs provided)



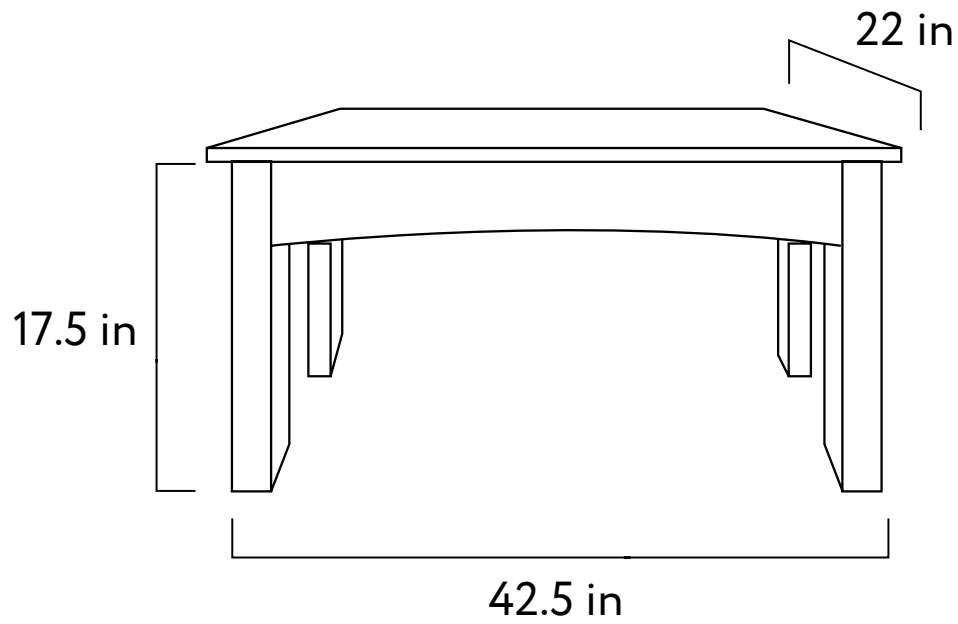
WEST CAMPUS

Furniture Dimensions - Kitchen Table



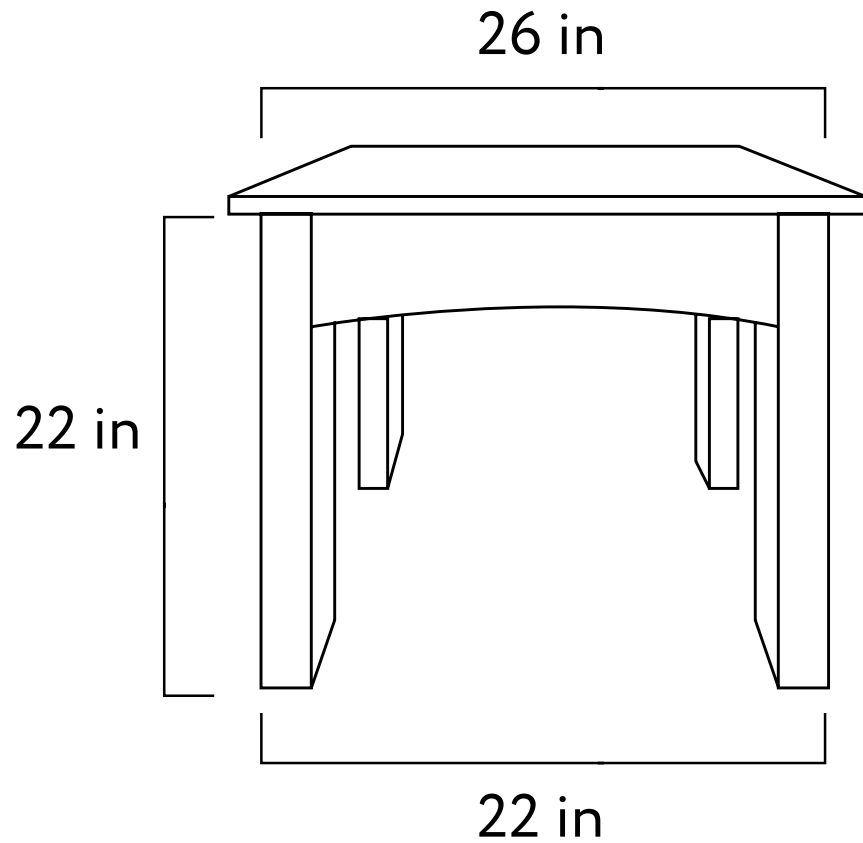
WEST CAMPUS

Furniture Dimensions - Coffee Table



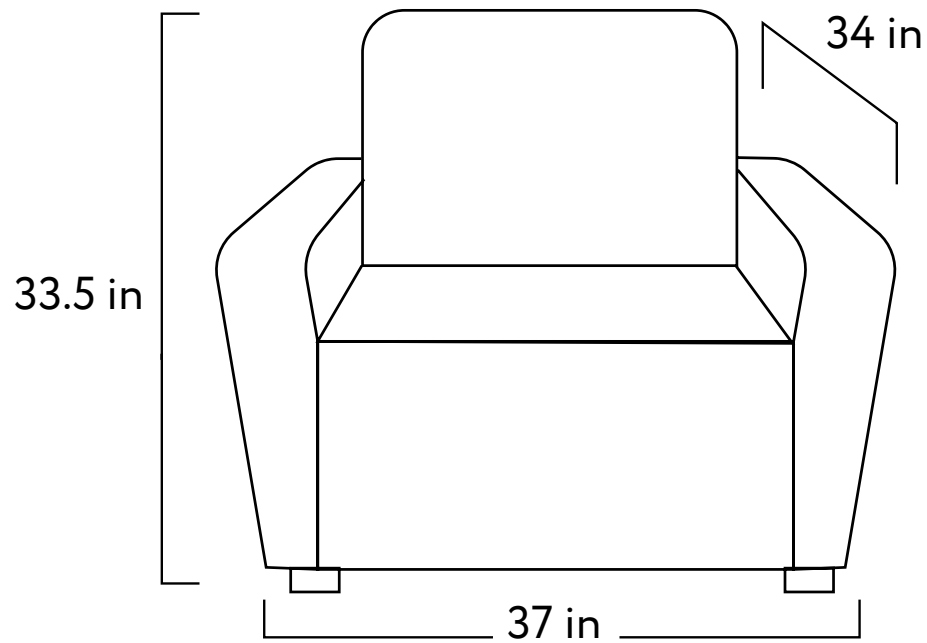
WEST CAMPUS

Furniture Dimensions - End Table



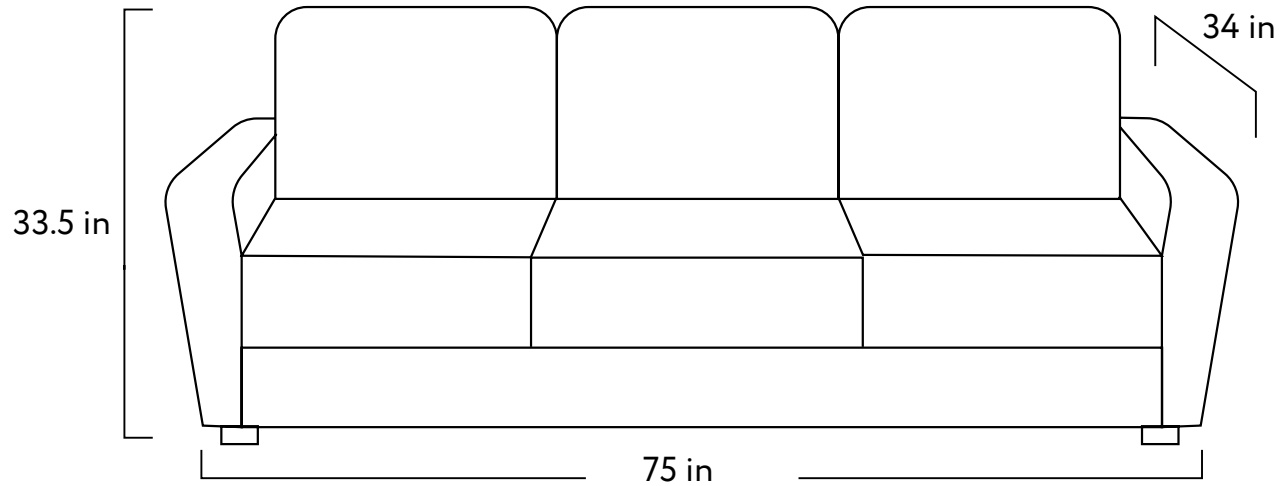
WEST CAMPUS

Furniture Dimensions - Armchair



WEST CAMPUS

Furniture Dimensions - Sofa



WEST CAMPUS

Kitchen Overview



Kitchen Overview



Kitchen Sink, Cabinets
and Microwave

WEST CAMPUS



Oven and Stove



Refrigerator (open)

WEST CAMPUS

Bathroom Overview



Bathroom Overview



Toilet



Shower



Bathroom Sink and Cabinets



Toilet and Shower Area

WEST CAMPUS

Additional Photographs of Village 4-6



**Photos show a fully decorated room for inspiration purposes only. Decor, accessories and personal items are not included with the room.*